



**Question(s):** 19/13

Geneva, 16-27 July 2018

**TD**

**Source:** Ministry of Communications (India), Orange Polska S.A.

**Title:** Proposal on new work item - "Cloud Computing - End-to-end fault and performance management framework of inter-cloud virtual network services"

**Purpose:** Proposal

<b>Contact:</b>	Lav Gupta DOT India	Tel: + 13148250063 Fax: + 919868217055 E-mail: <a href="mailto:lavgupta@wustl.edu">lavgupta@wustl.edu</a>
<b>Contact:</b>	Mahabir Parshad TEC DOT India	Tel: +919868217055 Fax: +91 11 23329088 E-mail: <a href="mailto:srdg.tec@gov.in">srdg.tec@gov.in</a>
<b>Contact:</b>	Arvind Chawla TEC DOT India	Tel: +91 9868512165 Fax: +91 11 23714866 E-mail: <a href="mailto:arvind.chawla@gov.in">arvind.chawla@gov.in</a>
<b>Contact:</b>	Sridhar Sapparapu TEC DOT India	Tel: +919013133805 E-mail: <a href="mailto:diri.tec@nic.in">diri.tec@nic.in</a>
<b>Contact:</b>	Emil Kowalczyk Orange Polska S.A. Poland	Tel: +48 502 397 809 E-mail: <a href="mailto:emil.kowalczyk@orange.com">emil.kowalczyk@orange.com</a>
<b>Contact:</b>	Janusz Pieczerak Orange Polska S.A. Poland	Tel: +48 502 709 314 E-mail: <a href="mailto:janusz.pieczerak@orange.com">janusz.pieczerak@orange.com</a>

**Keywords:** Inter-cloud, end-to-end, faults, performance, management, framework

**Abstract:** This contribution proposes to start new work item related to end-to-end fault and performance management framework of virtual network services in inter-cloud computing and relevant use cases.

**Introduction**

Cloud computing is an essential ingredient of all modern telecommunications services, including 5G. A use case that service providers are globally interested in, is deployment of their service offerings as Virtual Network Services (VNS), using Network Function Virtualization (NFV), over multiple clouds. This gives them a number of advantages including freedom from proprietary solutions, reduced time to market, agility of service, proximity to customers and lower cost of deployment and operation. However, today the virtual deployments do not match the five nines (99.999%) availability, or the performance of the traditional physical networks based on dedicated and custom-built integrated hardware and software. A standards based Fault, Configuration, Accounting, Performance and Security (FCAPS) framework for VNS over multiple clouds would help attain the level of availability and performance that service providers and subscribers expect from the traditional networks. This recommendation focuses mainly on the Fault and Performance (FP) aspects of virtual

network service deployments. For these aspects alone, ensuring proper operation of the VNS is more complex, as compared to traditional services, because of two main reasons: a) more layers of abstraction i.e. physical, virtual resources, virtual network functions, service function chains and virtual network services, and b) complex interaction of the involved management platforms, i.e., Inter-Cloud management platform (MCMP) of the cloud service provider, Operation Support Systems (OSS) of the service provider and Management and Orchestration platform (MANO) of NFV. These platforms together have the responsibility of managing the Inter-Cloud resources and the life cycles of virtual network services and their components. For this, the FP management functionality must collect and process all the alarms, notifications and performance metrics from different layers, e.g., VNS, SFC, VNF and EMS (**Note:** somewhere in the description we may refer to criticality of the alarms as defined ITU X.733 Recommendations). Four Critical aspects of end-to-end fault & performance management system are:

- i) Fault and Performance issues detection sub-system: carries out detection of fault & performance issues, both impending and manifest faults.. This is done in two steps: Step 1 involves classification of a situation as ‘fault’ or ‘no-fault’ and Step 2 involves further classification of fault problems as ‘manifest’ or ‘impending.
- ii) Fault and performance localization sub-system: carries out localization of manifest faults in two steps: coarse-grain and fine-grain localization. For impending faults it predicts the intensity and likely location of the problem.
- iii) Performance Management: Fix the fault that degrades network performance i.e. troubleshoot fault to restore network performance to original or improved condition;
- iv) Maintaining QoS (Quality of Service): Adhere to SLA (Service Level Agreement) for achieving 99.999% availability of network & business critical applications. (Availability requirement of service provider is five nines. Subscribers may have their own SLAs)

## Recommendation ITU-T <No.>

### Cloud Computing – End-to-end fault and performance management framework of virtual network services in inter-cloud

#### Summary

This recommendation provides end-to-end fault and performance management framework of virtual network services in inter-cloud computing and relevant use cases. In particular, the aspects of faults detection and localization of affected area in inter-cloud environments is presented.

**Keywords:** inter-cloud, end-to-end, fault, performance, management

#### Table of Content

1. Scope .....	5	Deleted: 4
2. References .....	5	Deleted: 4
3. Definitions .....	5	
3.1. Terms defined elsewhere.....	5	
3.2. Terms defined in this Recommendation.....	6	Deleted: 5
4. Abbreviations and acronyms .....	6	Deleted: 5
5. Conventions .....	7	Deleted: 6
6. Overview of management framework in inter-cloud environment.....	7	
6.1. Network Function Virtualisation Infrastructure as a Service (NFVIaaS).....	8	Deleted: 7
6.2. VNF as a Service (VNFaaS).....	10	
6.3. Virtual Network Services .....	11	Deleted: 10
7. General requirements for end-to-end fault and performance management of virtual network services.....	13	Deleted: 12
8. Framework of end-to-end fault and performance management of virtual network services in inter-cloud .....	13	Deleted: 12
8.1. Background.....	13	Deleted: 12
8.2. Challenges of virtual network services in inter-cloud.....	13	
8.3. Change management in virtual network services .....	14	
8.4. Performance management of virtual network services .....	14	
8.5. Framework.....	15	Deleted: 14
8.6. End-to-end fault and performance management.....	17	

8.7. Model for Fault Detection and Localisation.....	17
8.7.1. Markers and Metrics for Fault Detection and Localisation.....	18
8.7.2. Training Datasets .....	19
8.7.3. Shallow and Deep Learning Methods .....	19
8.7.4. Detection of Fault and Performance Conditions.....	<del>20</del>
8.7.5. Localization of Fault and Performance Conditions .....	20
8.8. Conclusive Analysis of Framework .....	20
9. Security consideration .....	<del>21</del>

Deleted: 19

Deleted: 20

## 1. Scope

This Recommendation specifies an end-to-end fault and performance management framework and relevant use cases of virtual network services in inter-cloud computing. The scope of this Recommendation includes:

- overview of end-to-end fault and performance management of virtual network services;
- functional requirements of end-to-end fault and performance management of virtual network services;
- use cases relevant to end-to-end fault and performance management of virtual network services;

## 2. References

The following ITU-T Recommendations and other references contain provisions, which, through reference in this text, constitute provisions of this Recommendation. At the time of publication, the editions indicated were valid. All Recommendations and other references are subject to revision; users of this Recommendation are therefore encouraged to investigate the possibility of applying the most recent edition of the Recommendations and other references listed below. A list of the currently valid ITU-T Recommendations is regularly published. The reference to a document within this Recommendation does not give it, as a stand-alone document, the status of a Recommendation.

[ITU-T X.733]	Severity of Events & Alarms
[ITU-T Y.3500]	Recommendation ITU-T Y.3500 (2014)   ISO/IEC 17788:2014, Information technology – Cloud computing – Overview and vocabulary.
[ITU-T Y.3501]	Recommendation ITU-T Y.3501 (2013), Cloud computing framework and high-level requirements.
[ITU-T Y.3502]	Recommendation ITU-T Y.3502 (2014)   ISO/IEC 17789:2014, Information technology – Cloud computing – Reference architecture.
[ITU-T Y.3503]	Recommendation ITU-T Y.3503 (2014) Requirements for Desktop As A Service
[ITU-T Y.3510]	Recommendation ITU-T Y.3510 (2016), Cloud computing infrastructure requirements
[ITU-T Y.3512]	Recommendation ITU-T Y.3512 (2014), Cloud computing - functional requirements of Network As A Service
[ITU-T Y.3513]	Recommendation ITU-T Y.3513 (2014), Cloud computing - functional requirements of Infrastructure-As-A-Service

## 3. Definitions

### 3.1. Terms defined elsewhere

This Recommendation uses the following terms defined elsewhere:

**3.1.1 cloud service [ITU-T Y.3500]:** One or more capabilities offered via cloud computing invoked using a defined interface. It may comprise the hardware & hypervisor layers delivering individual servers, border routers, firewalls, load balancers & switches.

**3.1.2 cloud service customer [ITU-T Y.3500]:** Party which is in a business relationship for the purpose of using cloud services.

**3.1.3 cloud service provider [ITU-T Y.3502]:** party which makes cloud services available.

**3.1.4 hypervisor [ITU-T Y.3510]:** A type of system software that allows multiple operating systems to share a single hardware host.

**3.1.5 party** [ITU-T Y.3500]: Natural person or legal person, whether or not incorporated, or a group of either.

### **3.2 Terms defined in this Recommendation**

This Recommendation defines the following terms:

#### **4. Abbreviations and acronyms**

This Recommendation uses the following abbreviations and acronyms:

API	Application Programming Interface
CDN	Content Delivery Network
CPE	Customer Premises Equipment
DaaS	Desktop as a Service
DAS	Direct-Attached storage
DoT	Department of Telecommunications
EMS	Element Management System
FC	Fibre Channel
FCAPS	Fault, Configuration, Accounting, Performance and Security
IaaS	Infrastructure as a Service
IOT	Internet of Things
iSCSI	Internet Small Computer System Interface
IP	Internet Protocol
IPSEC	Internet Protocol Security
ITU-T	International Telecommunication Union – Telecom Standardization Sector
NaaS	Network as a Service
NFV	Network Function Virtualisation
NFVI	Network Functions Virtualisation Infrastructure
OSS/BSS	Operations Support Systems/Business Support Systems
PaaS	Platform as a Service
P/PE router	Provider/Provider Edge router
PoP	Point of Presence
QoS	Quality of Service
SD-WAN	Software Defined Wide Area Network
SFC	Service Function Chain
SLA	Service Level Agreement
SSL	Secure Socket Layer
TEC	Telecommunication Engineering Centre
TSP	Telecom Service Provider
uCPE	Universal Customer Premises Equipment
vCPE	Virtual Customer Premises Equipment

VNF	Virtual Network Function
VNFaaS	VNF as a Service
VNPaaS	Virtual Network Platform as a Service
VNS	Virtual Network Service
VLAN	Virtual LAN
VM	Virtual Machine
VNFaaS	Virtual Network Function (VNF) as a Service
WAN	Wide Area Network

## 5. Conventions

In this Recommendation:

The keywords “**is required to**” indicate a requirement which must be strictly followed and from which no deviation is permitted if conformance to this document is to be claimed.

The keywords “**is prohibited from**” indicate a requirement which must be strictly followed and from which no deviation is permitted if conformance to this document is to be claimed.

The keywords “**is recommended**” indicate a requirement which is recommended but which is not absolutely required. Thus this requirement need not be present to claim conformance.

The keywords “**is not recommended**” indicate a requirement which is not recommended but which is not specifically prohibited. Thus, conformance with this specification can still be claimed even if this requirement is present.

The keywords “**can optionally**” indicate an optional requirement which is permissible, without implying any sense of being recommended. This term is not intended to imply that the vendor’s implementation must provide the option and the feature can be optionally enabled by the network operator/service provider. Rather, it means the vendor may optionally provide the feature and still claim conformance with the specification.

## 6. Overview of management framework in inter-cloud environment

[Contributor’s note] This clause is providing overview of management framework in inter-cloud environment.

Formatted: Highlight

Network Function Virtualisation (NFV) enables faster deployment, simple configuration and ease of maintenance as compared with dedicated hardware based traditional network. The service provider can easily implement new innovative and customized services with NFV on customer demand. Various service models are included in the use cases of enterprise services, IOT services and mobile broadband. Examples of the high level use cases of NFV are IaaS, NaaS, VNFaaS, VNPaaS, Virtualisation of Mobile Core network and IMS, Virtualisation of mobile base station, Virtualisation of home environment, Virtualisation of CDNs, Virtualisation of P/PE routers, IOT, vCPE / uCPE, SD-WAN, WAN Optimization, Secure Internet Breakout, Secure Cloud Connect, Data Centre Interconnect. The high level NFV Framework containing three working domains, viz., VNFs, NFV Infrastructure and NFV Management & Orchestration (MANO) is as given below. Inter-Cloud VNS deployments multiply the advantages of NFV.

6.1.1 Network functions virtualization management and orchestration architectural framework (NFV-MANO Architectural Framework of ETSI) is the collection of all functional blocks, data repositories used by these blocks, and reference points and interfaces through which these functional blocks exchange information for the purpose of managing and orchestrating NFVI and VNFs. MANO consists of Virtual Infrastructure Manager, VNF manager and Orchestrator.

### 6.1. Network Function Virtualisation Infrastructure as a Service (NFVIaaS)

Network Functions Virtualization Infrastructure (NFVI) is the foundation platform for Network Function Virtualisation (NFV) framework that contains the totality of hardware devices, operating system(s), hypervisors and other virtualization tools, virtual compute, virtual storage and virtual network elements that are used to instantiate virtual network functions. VIM is the resource management component of the NFVI. Network Function Virtualization (NFV) is a network architecture concept that uses the technologies of IT virtualization to virtualise entire classes of network node functions into building blocks that may connect, or chain together, to create communication services. The NFV framework may support either centralized or distributed architecture/environment depending on the use cases. The NFV infrastructure can span several locations. Network Functions Virtualization Infrastructure (NFVI) is the totality of all hardware and software components that build the environment where VNFs are deployed. The network providing connectivity within and between locations is considered as part of the NFV Infrastructure (NFVI).

The NFVI encompasses all hardware (compute, memory, storage), networking and software capabilities necessary to deliver a common platform that can support multiple use cases including network infrastructure workloads, such as mobile core and enterprise customer workloads such as firewalling or Wi-Fi control functions. NFVI capabilities must be agnostic to the underlying physical compute, storage and networking hardware requirements, types and vendor. The NFVI software must provide a consistent network virtualization and virtual hosting environment, which exposes a common northbound and southbound management layer that is independent of the underlying hardware or VNFs that are being supported.

NFVI was defined by ETSI to contain Hypervisor domain, Compute domain and Network domain.

The basic hardware consists of the general purpose commercially available off the shelf servers. The Hypervisor is directly installed on bare metal or on top of Host operating systems. The hypervisor must have a small footprint in the memory. It must support a shorter I/O path for maximum performance. The virtualization approach should support vertical and / or horizontal scaling depending upon the use cases for increasing capacity. The Hypervisor must allow prioritization of system resources e.g. CPU/Memory by defining the resource allocation to Virtual Machines (VMs). Hypervisor must support provisioning of the least possible CPU resources to the low critical virtual machines & reservation of CPU resources to high critical VMs. Non-Disruptive Virtual Machine migration must be supported. Virtualization software should have the ability to live migrate Virtual machines files from one storage array to another without any Virtual Machine downtime. It should also support the migration from one storage protocol to another (ex. FC, iSCSI, DAS etc) without any disruption.

Infrastructure domain provides the virtual resources that can be used to create virtual network functions in software. It may support creation and scaling of multiple types of Virtual Networking Functions (VNFs) decoupled from the underlying hardware. For instance, it may provide Logical Switching - Reproduce L2 and L3 switching functionality in a virtual environment, Logical Routing - Routing between logical switches, providing dynamic routing within different virtual networks. It may also host middle-box functionalities like Logical Firewall - Distributed firewall, kernel enabled line rate performance, virtualization and identity aware monitoring. It may provide Logical Load Balancer - Solution may provide a server load balancer with features like SSL offload. It may provide Logical VPN - The solution may provide L2VPN, SSLVPN, site-to-site IPSEC VPN services. The solution may support IPv6 native or Dual stack (IPv4/V6). It may support deployment of multiple instances of virtual networks independent of each other. The solution may offer to bridge VXLAN layer2 Networks and VLAN based networks

The Virtualised Infrastructure Manager (VIM) is responsible for controlling and managing the NFVI compute, storage and network resources, usually within one operator's Infrastructure Domain (e.g. all resources within an NFVI-PoP, resources across multiple NFVI-POPs, or a subset of resources within an NFVI-PoP). A VIM may be specialized in handling a certain type of NFVI resource (e.g. compute-only, storage-only, networking-only), or may be capable of managing multiple types of NFVI



resources (e.g. in NFVI-Nodes). The VIM controller function may be deployed in a centralized location (management data centre, central office, etc.) or distributed location in order to support multiple NFVI-Nodes representing a single cloud. VIM may support secure multi-tenancy. VIM may support carrier-grade availability. VIM may support policy based resource allocation, policy based workload placement, API based workload movement and tenant specific resource allocation policies. VIM orchestrates the allocation/upgrade/release/reclamation of NFVI resources (including the optimization of such resources usage), and manages the association of the virtualised resources to the physical compute, storage, networking resources. VIM along with NFV Orchestrator supports the management of VNF Forwarding Graphs (create, query, update, delete), e.g. by creating and maintaining Virtual Links, virtual networks, sub-nets, and ports, as well as the management of security group policies to ensure network/traffic access control. VIM may manage in a repository, the inventory related information of NFVI hardware resources (compute, storage, networking) and software resources (e.g. hypervisors), and manage the capabilities and features (e.g. related to usage optimization) of such resources. A service provider may obtain resources from more than one NFVI provider. Thus there may be more than one VIM in the picture. On the other hand, each VIM can manage more than one NFVI PoP.

The Virtual Network Function Manager (VNFM), which is part of MANO, is responsible for the lifecycle management of VNF instances eg: VNF Instantiation, VNF upgradation, Start and Stop VNFs, configure VNFs, VNF instance scaling out/in, monitor VNFs, VNF instance assisted or automated healing and VNF Termination. The VNF manager may have the capability to create and launch a new VNF based on specific template or VNF instantiation feasibility checking, if required. Each VNF instance is assumed to have an associated VNF Manager, A VNF manager may be assigned the management of a single VNF instance, or the management of multiple VNF instances of the same type or of different types. The VNF manager dynamically deploys a specific amount of compute/storage for a particular VNF based on a predefined template. The VNF manager solution may be fully multi-tenant and it may be shared across multiple customers.

The Network Orchestrator manages VNS deployment templates and VNF Packages (e.g. on-boarding new Network Services (NS) and VNF Packages). During on-boarding of VNS and VNF, a validation step may be done. To support subsequent instantiation of a VNF and a VNS respectively, the validation procedure needs to verify the integrity and authenticity of the provided deployment template, to ensure that all mandatory information is present and consistent. In addition, during the on-boarding of VNFs, software images provided in the VNF Package for the different VNF components are catalogued in one or more NFVI-PoPs, using the support of VIM. The orchestrator carries out network Service instantiation and Network Service instance lifecycle management, e.g. update, query, scaling, collecting performance measurement results, event collection and correlation, termination. Management of the instantiation of VNF Managers where applicable and management of the instantiation of VNFs, in coordination with 3rd party VNF Managers, is done by Orchestrator. The orchestrator validates & authorizes NFVI resource requests from VNF Managers, as those may impact Network Services (granting of the requested operation needs to be governed by policies). Detailed use cases of VNS using the vCPEs are mentioned in Appendix-I.

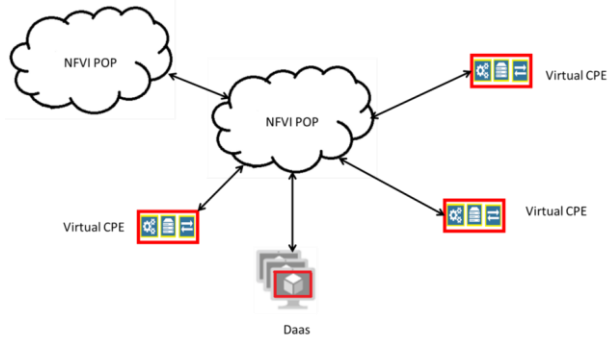


Figure-1 Use case with vCPE

The CSC links are the most vulnerable links from the fault and performance management. Hence for higher reliability the CSC may also prefer two or more links to the same NFVI-PoP or different NFVI-PoPs as shown in figure -2 below.

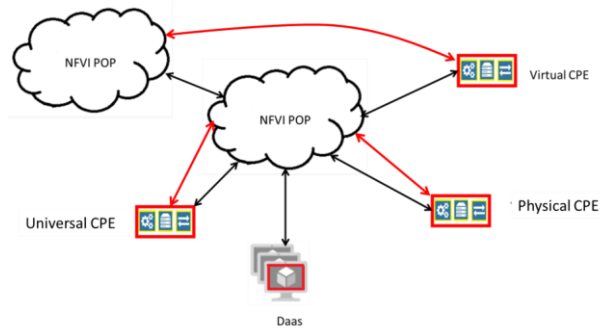


Fig-2 The NFVIaaS with protected CSC links.

## 6.2. VNF as a Service (VNFaaS)

Virtualized network functions (VNFs) are software implementations of network functions that can be deployed on Network Functions Virtualization Infrastructure (NFVI). The NFV solution may support service chaining of VNFs to create an end to end service. The solution may support real-time changes to deployed service chains.

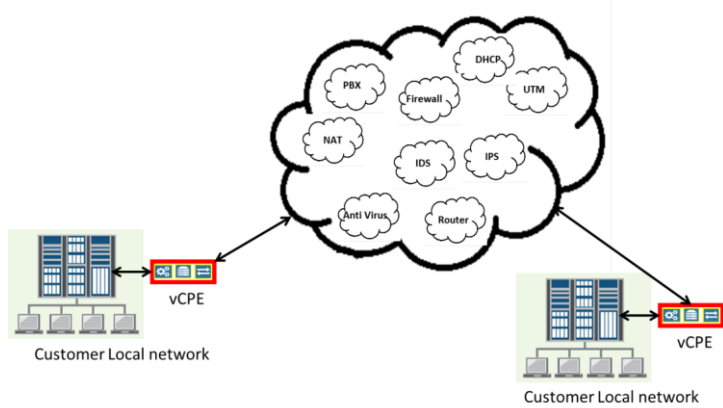


Figure-3 VNFaaS

VNFs are created in virtualized infrastructure as software applications and hosted on Virtual Machines (VMs) instantiated in NFVI PoPs of one or more clouds.

### 6.3. Virtual Network Services

Virtual Network Service (VNS) can be described as an abstracted transport connectivity between two end points in a virtualised environment where the end points may be located in one or more clouds. A VNS utilises a Service Function Chain (SFC) or Virtual Network Function Forwarding Graph (VNFFG) for interconnecting virtual network resources end to end.

A Virtual Network Service (VNS) can be formed between any two end points in one or more clouds. The abstracted transport connectivity between these two end points formed in a virtualised environment utilises a Service Function Chain (SFC) or Virtual Network Function Forwarding Graph (VNFFG), for interconnecting virtual network resources end to end.

A single cloud based on NFV frame work is depicted as below where only one NFVI node/PoP is shown in the figure-4.

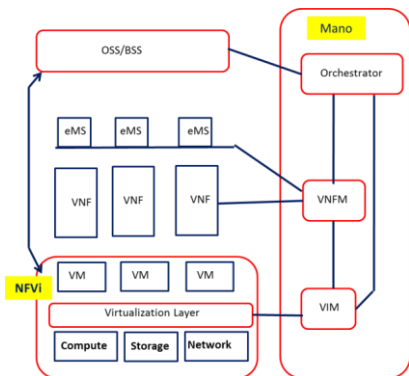


Figure-4 Single cloud with single NFVI-PoP

The figure-5 below depicts the single cloud with multiple NFVI-PoPs. The multiple NFVI nodes/PoPs are controlled by the same VIM and OSS. The VNFs launched on all these NFVI nodes/PoPs are managed by the same VNFM.

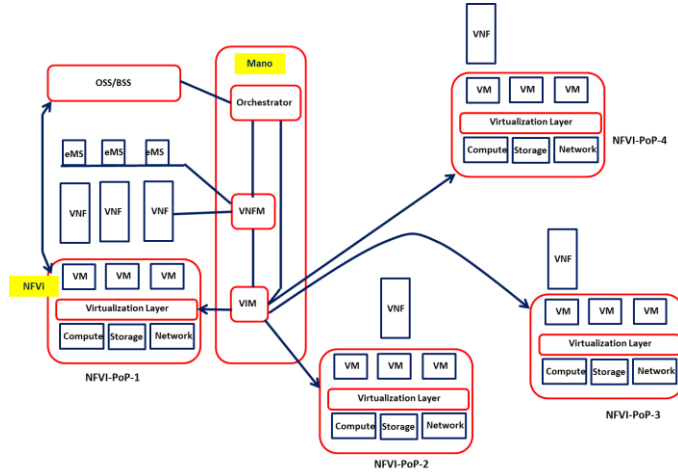


Figure-5 Single cloud with Multiple NFVI-PoPs

The interconnectivity between two different clouds using the NFV framework is as shown below in figure-6.

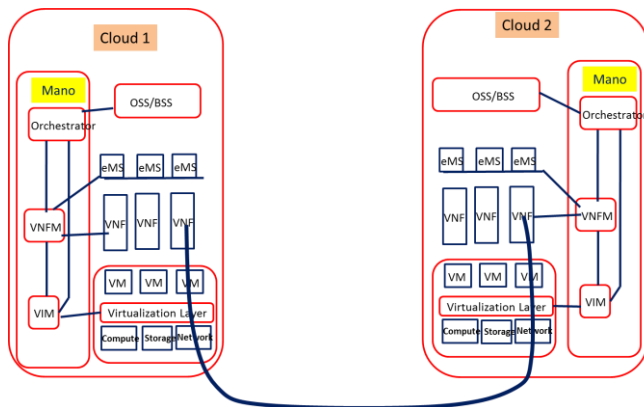


Figure-6 Interconnectivity in Inter-Cloud scenario – Different administrative domains

Virtual Network Service (VNS) is delivered through an ordered set of Virtual Network Functions (VNFs) chained into Service Function Chains (SFCs) or VNF graphs interconnecting the virtual network resources to handle the traffic in a desired way. Such VNFs are created in software and hosted on Virtual Machines (VMs) instantiated in NFVI PoPs of one or more clouds. Effective coordination amongst Management & Control Platform(s) (MCPs) of Cloud Service Provider(s), BSS/OSS of Telecom Service Provider and NFV-MANO (NFV Management Orchestrator) is the key to successful Virtual Network Service (VNS) delivery over multiple clouds.

Deleted: c

## 7. General requirements for end-to-end fault and performance management of virtual network services

[Contributor's note] This clause will provides general requirements related to end-to-end fault and performance management of virtual network services based on ones derived from use cases.

Formatted: Highlight

Formatted: English (United States)

## 8. Framework of end-to-end fault and performance management of virtual network services in inter-cloud

[Contributor's note] This clause will provide framework of end-to-end fault and performance management of virtual network services in inter-cloud. At the moment, existing material is illustration only and allows better positioning aspects of virtual network services in general network architecture. This material will be updated accordingly. Contributions are invited.

Formatted: Font: Not Bold, Highlight

Formatted: Highlight

Formatted: Font: Not Bold, Highlight

Formatted: Highlight

### 8.1. Background

The approach described here is generic in nature and applicable to all member states interested in ushering state-of-the-art cloud based telecommunications network deployment in their countries. Such deployments are expected to give a number of benefits over traditional deployments using physical appliances. Some of the benefits are: flexibility of obtaining resources, ease of scaling and descaling, freedom from proprietary hardware and software, ease of redeploying resources, risk mitigation, ease of deploying new services and reduced total cost of operation.

The traditional practice largely involves use of physical network appliances like routers, switches, broadband remote access servers, and middle-boxes like firewalls, deep packet inspectors or load balancers. These integrated hardware and software solutions are normally closed and proprietary leading to vendor lock-in, thereby making expansions and deployment of new services difficult and time consuming. Such equipment are also not amenable to easy scaling or redeployment of resources. The power and space requirements as well as the total cost of operation are higher in physical element based networks.

In traditional networks, time-tested standards relating to fault, configuration, accounting, performance and security (FCAPS) are embodied in ISO Common Management Information Protocol (CMIP) and ITU TMN M.3010 and M.3400 recommendations. Network management based on relevant standards provides five nines availability and carrier grade reliability.

Inter-Cloud computing, coupled with Network function virtualization (NFV), provides numerous advantages to the service providers including ease of deployment, ease of scaling, ease of introducing and switching off services and reduced cost of operation. This may increase viability of telecommunications business and lead to thriving telecommunication sectors in the -countries. However, there are a number of reasons as to why the combination of Inter-Cloud & NFV i.e. VNS over multiple clouds needs a strong fault & performance management system to be a viable replacement for traditional networks. For carrier grade availability & reliability of up-to five nines (99.999%) for Inter-Cloud VNS, there is a need for standardization of techniques for fault and performance detection and localization to deal with complexity in such networks as the anomalous behaviour could be in the hardware, virtual machines, VNFs, SFCs or at the service levels.

### 8.2. Challenges of virtual network services in inter-cloud

Nowadays, the telecommunication's networks have traditionally been designed to provide high availability and standards-based quality of service. In virtual network, services deployment over multiple clouds identifies new challenging to equip Inter-Cloud management systems to deal with performance issues. Especially, that virtual network services relay over underlying physical network and "software" infrastructure (NFV-based infrastructure). Therefore, the end to end management are related to physical, virtual layer or the virtual network functions of Inter-Cloud environments where virtual machines hosted particular NFV are hosted.

In fact, the traditional deterministic methods fail to deliver in virtual environments in which virtual resources can be dynamically scaled, migrated or destroyed. It is important to propose to use predictive techniques to be able to identify management issues before or after they have occurred.

In hybrid telecommunication networks with physical appliances and “software” infrastructures, the deterministic methods ensure carrier grade availability and reliability. On the other side, the service function chains using virtual resources over multiple clouds provide a number of complex factors and make it imperative to use predictive methods for assuring carrier grade availability.

The “software” infrastructure provides the advantages of breaking free from proprietary network appliances and brings in ease of scaling. Implementation of “software” infrastructure over multiple clouds adds new advantages, leveraging greater flexibility in obtaining resources, avoiding total outages, proximity to customers and lower total cost of operation.

The one of the main challenges identified in NFV-based systems are related to change management (including single or cascade faults) and performance issues, which have strong impact on whole environment. The precise detection of source of fault and area affected by faults are key aspects in telecommunication’s software infrastructure, whose performance starts to be comparable to performance achieved over traditional networks.

Some of the key challenges in Inter-Cloud VNS are as follows:

- Absence of an FCAPS framework
- Non-applicability of traditional rule based techniques when used in today’s networks
- Multiple layers of implementation: physical infrastructure, NFVI (Virtual Machines), Virtual Network Functions (VNF) and Virtual Network Services.
- Massive distribution of network functions over disparate clouds.
- Multiple control centres: cloud management systems, operators’ OSS/BSS and NFV-MANO (Management and Orchestration) and Inter-Cloud management platforms.

### **8.3. Change management in virtual network services**

The change management in Inter-Cloud-based network services would be a collaborative process among the elements constituting the service and the management systems involved. Modern communication systems produce large volumes of high-dimensional operational data. In such a case, analysing the data to get an actionable understanding of the situation becomes difficult. The fault, configuration and performance system should be able to identify potential performance hazards or may result in a fault that would require resources to rectify. In particular, the key challenges of change management in virtualized environments are related to:

1. Fault detection to notify impending or actual fault and performance issues
2. Determination of the root cause of the problem by identifying the resources that are malfunctioning or the severity with which they may malfunction in the future.

### **8.4. Performance management of virtual network services in Inter-Cloud**

The problem of detection and diagnostic given conditions that degrade network performance deals with the detection of any condition that has already led to or could lead to degraded performance or failure as well as identification and localization of manifest and impending faults. The performance management is part of pre-validation, with simulated traffic, as well as can be done on live environment to check the real behaviour of the network. The performance management is based on Quality of Service (QoS) metrics, which measure if the network behaves according to expectations, or Quality of Experience (QoE) metrics, which ensure the user perception of the network and service quality.

## 8.5. Framework

Telecommunications networks have traditionally been designed to provide five nines/high availability and standards based quality of service. In virtual network services deployment over multiple clouds, it is challenging to equip Inter-Cloud management systems to deal with fault and performance issues. Virtual network services have underlying physical and network function virtualization infrastructure. The telecommunications network functions in the virtualized form go into the virtual machines provided by the NFVI. When performance deviates from normal or a fault occurs, there is no access to the physical hardware for telecom operators to test. The root cause of the problem could be in the physical, virtual layer or the virtual network functions. The traditional deterministic methods fail to deliver in virtual environments in which virtual resources can be constantly scaled, migrated or destroyed. It is proposed to make use of predictive techniques to be able to identify fault or performance issues before or after they have occurred.

The framework is intended to facilitate effective end-to-end fault and performance management in Inter-Cloud virtual network services. In telecommunication networks with physical appliances, deterministic, methods ensure carrier grade availability and reliability. However, when telecom service providers' service function chains are using virtual resources over multiple clouds, a number of complex factors make it imperative to use predictive methods for assuring carrier grade availability. This recommendation discusses open source non-discriminatory procedure to ensure this objective.

Network Function Virtualization (NFV) provides the advantages of breaking free from proprietary network appliances and brings in ease of scaling. When NFV is deployed over multiple clouds then there are added advantages like greater flexibility in obtaining resources, avoiding total outages, proximity to customers and lower total cost of operation. Cloud technology can multiply the benefits of NFV. It could provide greater flexibility in obtaining resources, bring Network Service Provider's (NSP's) points of presence close to customers, provide an opportunity to optimize performance and control cost. However, NFV over multiple clouds has not yet attained the level of performance to be a viable replacement for traditional networks. One of the main reasons is the absence of a standard based Fault, Configuration, Accounting, Performance and Security (FCAPS) framework for the virtual network services.

Traditional networks have time-tested standards relating to fault, configuration, accounting, performance and security (FCAPS) as embodied in ISO Common Management Information Protocol (CMIP) and ITU TMN M.3010 and M.3400 recommendations. In combination of NFV & multiple clouds i.e. in Inter-Cloud VNS, the concerns regarding five nines availability, carrier grade reliability and quality of service parameters, like latency and packet loss, need address.

In NFV, faults and performance issues can have complex geneses within virtual resources, compute, storage and networking, as well as virtual network functions and cannot be effectively handled by traditional rule-based systems. To be able to make use of the Inter-Cloud paradigm effectively, it is more important that to fix Fault and Performance issues. Without a robust mechanism for handling Fault and Performance, service providers would find meeting service level agreements (SLAs) difficult and growth of the promising technology of NFV might get hampered. The framework should contain mechanisms for handling both manifest and latent fault and performance issues.

A Virtual Network Service (VNS) can be described as an end to end implementation using service function chain (SFC) or virtual network function forwarding graph (VNFFG), interconnecting the virtual network resources. SFC or VNFFG is an ordered set of VNFs in the virtual environment that represent functions like routers and broadband network gateways or middle-boxes like load balancers and firewalls, which act on the traffic in the sequence they appear in the chain. Such VNFs are hosted on virtual machines (VMs) instantiated over physical data centre and network resources. An example of end-to-end Inter-Cloud VNS is shown on the left side of Figure-7 below.

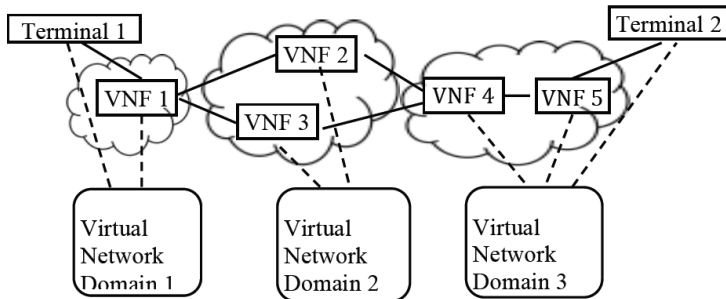


Figure-7 Inter domain end to end virtual network service

[Meeting's note] Relationship with NaaS is needed to be provided in body text either in appendix. NFVIaaS (platform) is superposition of VNFaaS (category). Clarification between NFVIaaS and IaaS (see ITU-T Y.3513). Terminology with cloud computing is needs to be aligned. Temporary terminology is accepted, but next steps have to be harmonized to avoid doubts, e.g. "VNF" should be considered. Contributions are invited.

Formatted: Highlight

The detailed network and VNF connectivity diagram in Inter-Cloud scenario is depicted below in figure-8. In this diagram, two VNFs in first cloud, two VNFs in second cloud and three VNFs in third cloud are connected as per the VNF Graph to provide the end to end network service.

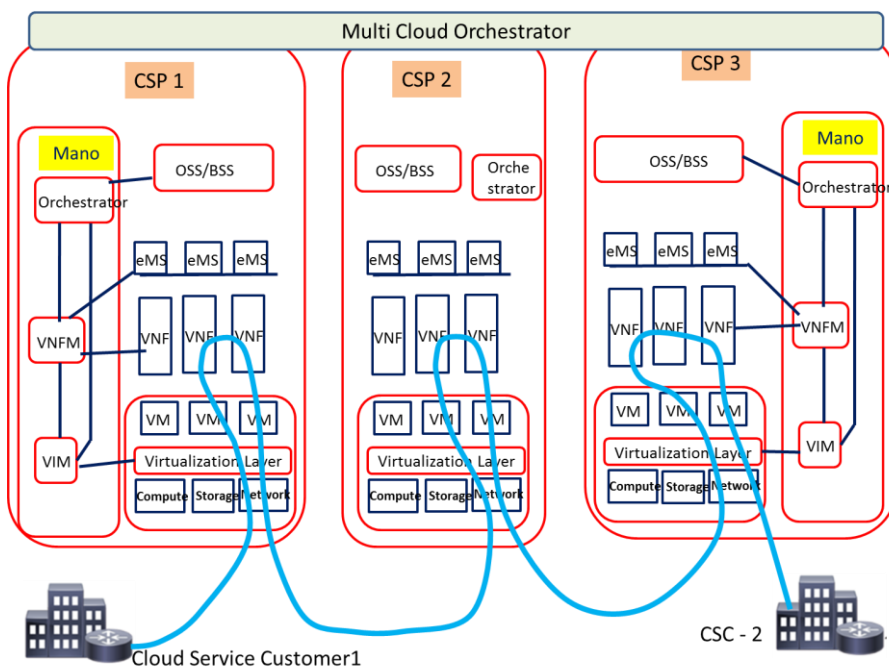


Figure-8 VNF Forwarding Graph for Inter-cloud end to end service

Formatted: Centered



Faults happen due to physical or algorithmic causes. Faults may occur for a number of reasons, prominent amongst which are malfunctioning or failed devices because of hardware or software failures in VMs or VNFs, failure of links and configuration errors. There could be other reasons like cyber-attacks, disasters or environment factors. Faults appear as errors. Errors in turn are deviations of a system from normal operations. Errors are reported through system alarms. Alarms are notifications about specific events that may or may not be errors. The degradation of a service can be detected through notifications, counters or meters. The Fault detection and Performance Management system should be able to identify which issues are potential performance hazards or may result in a fault that would require resources to rectify. Four levels of severity of events & alarms have been defined in ITU standard X.733: Critical, Major, Minor, and Warning [ITU92]. The critical alarm comes when the service can no longer be provided to the user. Major alarm indicates the service affected condition while minor means no current degradation is there, but if not corrected may develop into a major fault. A warning is an impending service affecting fault or performance issue. It is for the predictive capabilities of the Fault detection and Performance Management system to predict what faults will develop and with what severity levels.

Communication networks are widely distributed and are complex. The variety of FCAPS issues that can afflict them is large. The system to detect, diagnose and localize any condition that degrades network performance requires:

- Detection of any condition that has already led to or could lead to degraded performance or failure. The reasons could be manifest faults, hidden faults or inconspicuous deviations. The goal of such detection would be to sense and notify impending or actual fault and performance issues.
- Identification and localization of manifest and impending faults as well as performance problems. The goal of such localization would be to determine the root cause of the problem by identifying the resources that are malfunctioning or the severity with which they may malfunction in the future.

Any end-to-end fault and performance management system should take into account all the markers including alarms, notifications, warnings, observed behaviour, counter readings and measured values of performance indicators to carry out the above functions.

#### **8.6. End-to-end fault and performance management**

End-to-end Fault and Performance Management in multiple cloud based Virtual Network Services is a collaborative process among the elements constituting the service and the management systems involved. Modern communication systems produce large volumes of high-dimensional operational data. In such a case, analyzing the data to get an actionable understanding of the situation becomes difficult. In general, predictive approach is recommended that takes a learning route to solve the problem of the complex interaction of features of fault detection and localization. More specifically, however, a model based on a judicious combination of shallow as well as deep structures / architectures in machine learning, can be used for prediction of fault & performance issues along-with the severity levels of impending faults with a high level of accuracy.

#### **8.7. Model for Fault Detection and Localisation**

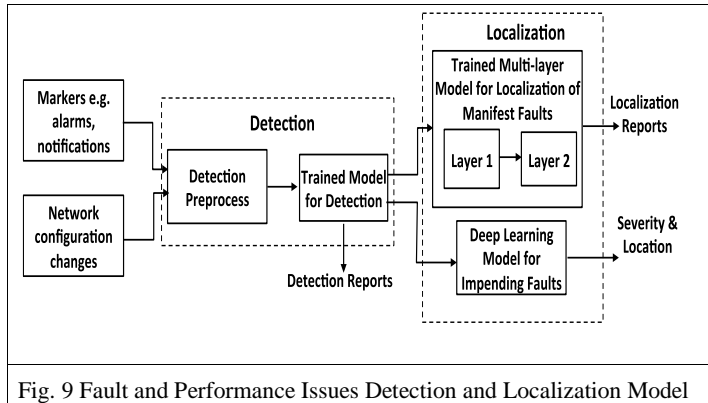


Fig. 9 Fault and Performance Issues Detection and Localization Model

The proposed model approach has predictive and deductive properties to meet the Fault and Performance Management requirements. Run time monitoring and measurements, alarms, notifications and warnings, configuration changes, measurements and environmental factors are all used along with the models trained with historical data to draw inferences about the manifest performance and fault issues. Additionally, decision about impending faults is taken using these inputs and the predictive properties of machine learning models. The detection system first decides whether there is a manifest or an impending fault or a performance issue. Based on this, the system will launch into identification and localization. Detection is essentially a two-stage binary classification problem that first classifies the outcome into ‘normal performance’ and ‘abnormal performance’ or ‘faulty’ and ‘not faulty’ classes. Then for the ‘faulty’ or ‘abnormal’ cases, it decides whether the problem is manifest or impending. Failure prediction needs to be accompanied with a high probability of correctness as actions following such a prediction involve cost. For localization, the model uses a multi-layered strategy. First, the broad category of the fault is determined (Layer 1). The system then does fine grain localisation (Layer 2) within the broad category and identifies the actual device(s) having a fault or suffering from performance degradation as well as their severity levels. Location & Severity of impending faults need deeper predictive structures.

### 8.7.1. Markers and Metrics for Fault Detection and Localisation

There are events relating to communication, quality of service, processing, equipment and environment that produce alarms, notifications, warning or error messages, measurements, counter values and conditions. Of course, many of the markers will appear in more than one type of fault or performance issue. Once, trained, detection and localisation algorithms would be able to pick out relevant markers and use them to predict the type of condition that may have arisen. Some of the markers related to mobile, fixed and broadband networks are given in Table 1 below.

TABLE 1 ILLUSTRATIVE LIST OF MARKERS

Mobile Network	Fixed Network	Broadband
Carrier/Interference Ratio	No Dial Tone	Intermittent Connection
Radio Link Time Out	Channel Noisy	Low Data Rate
Time Slot Shortage	MDF Jumper Disconnection	Phone Works Broadband Down
Occupied Bandwidth	Line Card Port Faulty	Repeated Training

RX Noise Floor	Primary Cable Fault	LAN Lamp Off
Radio Power	Distribution Cable Fault	Line Noisy
Frequency Error	DP Fault	DSLAM Port Mismatch
Antenna Tilt	House Wiring	No Ping
Signal Strength	MDF Fuse Blown	ADSL Lamp Flashes/Off
BTS Down	Customer Instrument Faulty	No Line Sync
Handover Failure	Dis in One Limb	Browsing Issues
Roaming Failure	Earth Contact	Micro-Filter Faulty
Packet Loss	Drop Wire Fault	No Comms
Hypervisor Alarm	Ring Tone Fault	Dropouts
Registration Failure	Message Fault	No Authentication
Low CSSR	Delayed Dial Tone	

TABLE II EXAMPLE SHOWING MANY-TO-MANY RELATIONSHIP BETWEEN FAULTS AND MARKERS

	Phase Error	Power	EVM	Rx Noise Floor	Origin Offset	Occupied BW	Frequency Error	C/I Ratio
Call Drop*	Y	Y	Y	Y	Y		Y	Y
Call Blocked**		Y	Y	Y	Y	Y		
*Radio link timeout; **Time Slot Short; EVM: Error Vector Magnitude; Rx: Receiver; C/I: Carrier to Interference Ratio; Y: Marker Present								

It is important to have an objective and quantitative metrics for good service to the consumers, fault localisation and identification of the root cause of performance deviations.

### 8.7.2. Training Datasets

The quality & quantity of the datasets affect the learning and prediction performance of machine learning algorithms. Information about faults, observations and restoration details in the telecommunication networks is contained in the fault dockets, test reports, central office system logs, outdoor maintenance staff logs, cable maintenance staff diaries and docket closure reports. Fault severity has three categories with 0 indicating no faults, 1 indicating a few faults and 2 indicating many faults. There are datasets for event type, the features logged, the resource affected and the severity type. The severity type is different from fault severity and classifies the warning given by the system.

### 8.7.3. Shallow and Deep Learning Methods

Shallow structures are simpler with one stage of non-linear operation, e.g., one hidden layer in neural networks. Here, the Support Vector Machine (SVM) Learning Method is a supervised learning method that analyses data and recognizes patterns. However, Deep learning architectures through stacked auto encoders would have more than one level of the composition of non-linear operations in

the function learned. One of the key advantages of deep learning is the automatic extraction of high-level features from the given dataset. This is a distinct advantage over the difficult feature engineering in shallow structures that require human intervention. In deep learning, higher-level features are learned as a composite of lower level features. In this way, features are learned at many levels of abstraction, making it easier to grasp complex functions that map the input to the output directly from data.

#### **8.7.4. Detection of Fault and Performance Conditions**

Fault and Performance issues may range from simple single point failures to multiple correlated or uncorrelated events. A fault presents itself in the form of system malfunction and notifications from faulty and other connected devices. The failure detection mechanism should be able to filter out dependent and routine operational events so that resources are not wasted in localizing these problems. In NFV, the faults in VM, VNF & Virtual Network cause Virtual Network Services (VNS) to behave abnormally. For example, failure of a Gigabit Ethernet interface on the core router may cause some or all of the virtual private network (VPN) links of many customers to be non-functional. In this context, the goal of the Fault & Performance detection mechanism is to correlate alarms, notifications, measurements and other markers generated by events to infer manifest or predict impending performance and fault conditions. Some errors may be cleared by the system, others may produce warnings that may signal impending problems while still another may produce faults that bring down functionalities and make themselves evident. The trained shallow machine learning models learn from the past events relating to faults and their resolutions. The models work in two stages: the first stage just makes a decision between 'fault' and 'no-fault' conditions, while the second stage does a more detailed examination of the markers to choose between 'manifest' and 'impending' faults. Minor faults & warnings would be the main contributors to the impending faults and need to be analysed to make this decision. With correct segregation, the localization stage would be able to carry out its functions properly.

#### **8.7.5. Localization of Fault and Performance Conditions**

The severity level of the faults indicates whether they are warnings, minor, major or critical. In the case of major & critical faults, devices degrade performance or stop working and need immediate action. Minor faults do not affect service and can be scheduled for localization accordingly. Warnings, along with the state information, provide insight into the degrading health of devices and could signal a major impending fault. In multi-layer fault identification and localization system, at Layer I, it detects the brand category of fault and then at Layer 2, does a fine grain classification. In the case of impending faults, the system predicts the locations and severity levels of the developing faults.

### **8.8. Conclusive Analysis of Framework**

Deployment of Virtual Network Services on multiple clouds is the key to successful provision of large real time and distributed services. However, for this scenario, concerns about five nines/high availability (99.999%) and quality of services parameters like latency and packet loss still remain.

Based on study of the markers and metrics related to fault & performance management of communication networks, handling fault & performance anomalies when they occur is crucial for the success of NFV deployments over clouds. In the proposed model for detection & localization of manifest & impending fault & performance issues, some of the aspects of detection and localization of faults have been implemented using shallow and deep structures respectively. It may be observed that SVM for classification performs well for detection of faults / no-faults or manifest / impending fault situations. This information can then be used with localization function for deeper analysis of the warnings to predict impending faults and their severity. Deep structure of stacked auto-encoder may be used for careful examination of 'warning' cases to predict the severity of faults.

Hence, it can be reasonably concluded that a fault detection and localization system based on a combination of shallow and deep machine learning architectures/structures would be useful in handling voluminous operational data of high dimension for detection and localization of Fault and Performance issues. While simpler detection can effectively be handled by, shallow machine learning structures like Support Vector Machine (SVM), however deeper structure i.e. the stacked auto encoder can be useful for a more complex localization function where a large amount of information needs to be worked through to get to the root cause of the problem.

#### **9. Security consideration**

Security aspects for consideration within the cloud computing environment, including inter-cloud computing, are described in [ITU-T X.1601], which analyses security threats and challenges, and describes security capabilities that could mitigate these threats and meet the security challenges.

**Annex A**

**<Annex Title>**

(This annex forms an integral part of this Recommendation.)

<Body of annex A>

## Appendix I

### Use case of end-to-end fault and performance management of virtual network services in inter-cloud

(This appendix does not form an integral part of this Recommendation.)

#### I.1 Use case template

The use cases developed in Appendix I should adopt the following unified format for better readability and convenient material organization.

Title	Note: The title of the use case
Description	Note: Scenario description of the use case
Roles	Note: Roles involved in the use case
Figure (optional)	Note: Figure to explain the use case, but not mandatory
Pre-conditions (optional)	Note: The necessary pre-conditions that should be achieved before starting the use case.
Post-conditions (optional)	Note: The post-condition that will be carried out after the termination of current use case.
Derived requirements	Note: Requirements derived from the use cases, whose detailed description is presented in the dedicated chapter

#### I.1. VNS in inter-cloud scenario

**I.1.1 VNS within a NFVI-PoP in a single CSP cloud** This use case illustrates the virtual network service built between two virtual Customer Premises equipment (vCPEs), which are placed at different CSC locations, and are connected to the same NFVI-PoP of a CSP. A single **CSP** cloud is the cloud infrastructure owned by one CSP.

Table I.1.1 VNS within the same NFVI-PoP in a single **CSP** cloud

Title	VNS within a NFVI-PoP in a single <b>CSP</b> cloud
Description	<u>A CSP is fully responsible for the creation, scaling, termination (life cycle management) of a VNS. A primary CSP may avail NFVIaaS from secondary CSP.</u> <u>A CSP shall be responsible for the Fault and performance management of the VNS which includes the CSC links.</u>
Relevant roles	CSC and CSP

**Deleted:** within a NFVI-PoP in a single cloud

**Formatted:** Left

**Deleted:** ¶  
VNS within a NFVI-PoP in a single CSP cloudUse Case ...

**Formatted Table**

**Deleted:** Use case

**Formatted Table**

**Deleted:** t

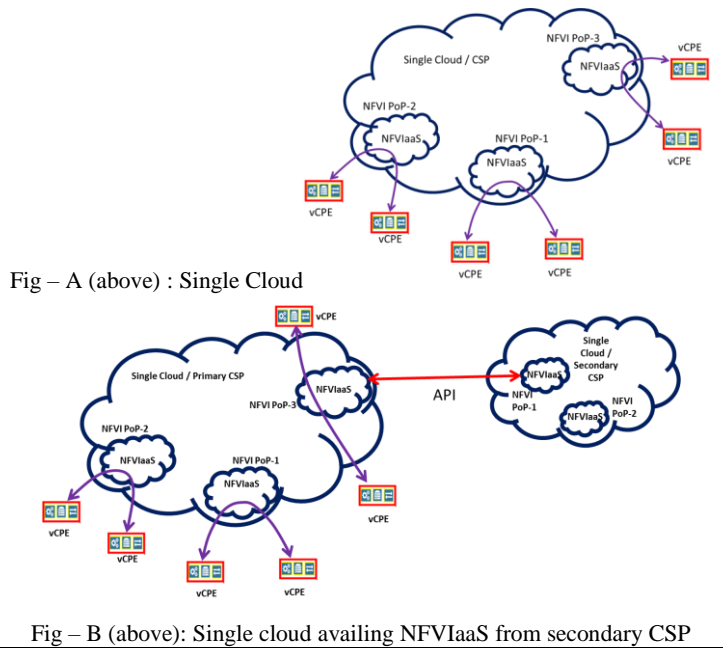
**Formatted Table**

**Deleted:** Use case description

**Deleted:** A CSP is fully responsible for the creation, scaling, termination (life cycle management) of a VNS. A primary CSP may avail NFVIaaS from secondary CSP.¶  
A CSP shall be responsible for the Fault and performance management of the VNS which includes the CSC links.

**Deleted:** Information flow

High-level figure describing the use case



<u>Pre-conditions</u>	
<u>Post-conditions</u>	
Derived requirements for the cloud capability	

Formatted Table

### I.1.2. VNS among different NFVI-PoPs in a single CSP cloud

This use case illustrates virtual network service built between two virtual Customer Premises equipment (vCPEs) connected to different NFVI-PoPs within a single CSP cloud.

Table I.1.2 VNS among different NFVI-PoPs in a single CSP cloud

<u>Title</u>	VNS among different NFVI-PoPs in a single <u>CSP</u> cloud
<u>Description</u>	<u>A CSP is fully responsible for the creation, scaling, termination (life cycle management) of a VNS. A primary CSP may avail NFVIaaS from secondary CSP.</u> <u>A CSP (primary) shall be responsible for the Fault and performance management of the VNS which includes the CSC links.</u>
Relevant roles	CSC and CSP
▼	▼
▼	▼

Formatted: Left

Deleted: ¶  
VNS among different NFVI-PoPs in a single CSP cloud Use Case( ...

Formatted Table

Deleted: Use case t

Formatted Table

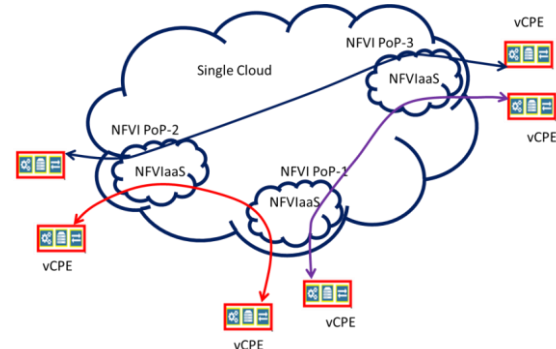
Formatted Table

Deleted: Use case description

Deleted: A CSP is fully responsible for the creation, scaling, termination (life cycle management) of a VNS. A primary CSP may avail NFVIaaS from secondary CSP.¶  
A CSP (primary) shall be responsible for the Fault and performance management of the VNS which includes the CSC links.

Deleted: Information flow



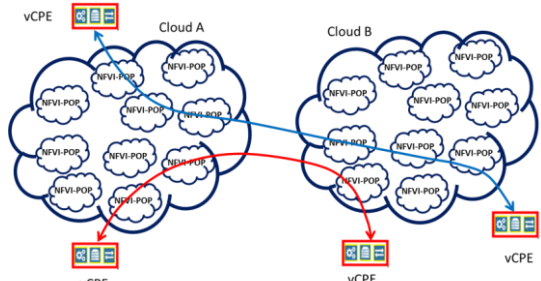
High-level figure describing the use case	
<u>Pre-Conditions</u>	
<u>Post-Conditions</u>	
Derived requirements for the cloud capability	

Formatted Table

### I.1.3. VNS among NFVI-PoPs in separate clouds

This use case illustrates the virtual network service built between two virtual Customer Premises equipment (vCPEs) connected to NFVI-PoPs located in two separate clouds administered by two different CSPs.

Table I.1.3 VNS among NFVI-PoPs in separate clouds

Use case title	VNS among NFVI-PoPs in separate clouds
<u>Use case description</u>	<p><u>Both the CSPs responsible for the creation, scaling, termination (life cycle management) of a VNS.</u></p> <p><u>Both CSPs shall be responsible for the Fault and performance management of the VNS in their administrative domain area including the CSC link connected to their cloud.</u></p>
Relevant roles	CSC and CSP
▼	▼
High-level figure describing the use case	

Formatted: Left

Deleted: ¶  
VNS among NFVI-PoPs in separate clouds Use Case

Formatted Table

Formatted Table

Formatted Table

Deleted: Use case description

Deleted: Both the CSPs responsible for the creation, scaling, termination (life cycle management) of a VNS.¶  
Both CSPs shall be responsible for the Fault and performance management of the VNS in their administrative domain area including the CSC link connected to their cloud.

Deleted: Information flow

<u>Pre-Conditions</u>	
<u>Post-Conditions</u>	
Derived requirements for the cloud capability	

Formatted Table

#### I.1.4. VNS among NFVI-PoPs in separate clouds with an intermediary cloud

This use case illustrates the virtual network service built between two virtual Customer Premises equipment (vCPEs) connected to NFVI-PoPs located in two separate clouds with another cloud as an intermediary.

Formatted: Font: Bold

Formatted: Font: Bold

Table I.1.4 VNS among NFVI-PoPs in separate clouds with an intermediary cloud

<u>Title</u>	VNS among NFVI-PoPs in separate clouds with an intermediary cloud
<u>Use case description</u>	<p><u>All the CSPs responsible for the creation, scaling, termination (life cycle management) of a VNS.</u></p> <p><u>All the CSPs shall be responsible for the Fault and performance management of the VNS in their administrative domain area.</u></p> <p><u>All the intermediary CSPs are not responsible for the CSC links.</u></p>
Relevant roles	CSC and CSP
High-level figure describing the use case	
<u>Pre-conditions</u>	
<u>Post-conditions</u>	
Derived requirements for the cloud capability	

Deleted: ¶  
Use Case...VNS among NFVI-PoPs in separate clouds with an intermediary cloud

Formatted Table

Deleted: Use case t

Formatted Table

Formatted Table

Deleted: Use case description

Deleted: All the CSPs responsible for the creation, scaling, termination (life cycle management) of a VNS.¶  
All the CSPs shall be responsible for the Fault and performance management of the VNS in their administrative domain area.¶  
All the intermediary CSPs are not responsible for the CSC links.

Deleted: Information flow

Formatted Table

Deleted: ¶

**Bibliography**

[b-DMTF OVF]

DMTF Standard DSP0243 Version 1.0.0 (2009), Open virtualization format specification.

---